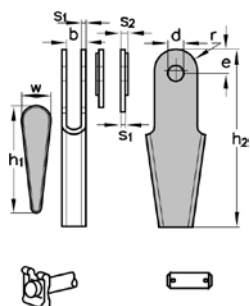


# Zaključki jeklenih vrvi

## Open wedge sockets

### Zaključek jeklene vrvi po DIN 15315

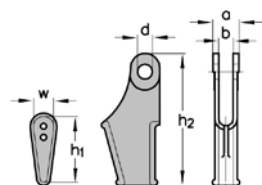
Open wedge socket acc. To DIN 15315



Velikost	Vrv fi ø										Teža	Oznaka pocinkana	Oznaka črna
Nominal size	Rope (mm)	b mm	e mm	s1 mm	s2 mm	h2 mm	d mm	r mm	h1 mm	w mm	Weight per piece (kg)	Art. No. galvanized	Art. No. black
5	4-5	12	14	3	-	110	10	12	68	19	0,17	7284005	-
6,5	5-6,5	10	16	4,5	-	100	10	14	58	19	0,21	7284065	-
8	6-8	14	20	4	-	150	12	18	92	25	0,50	7284008	7280008
11	9-11	17	26	6	-	190	16	23	117	32	1,04	7284011	7280011
14	12-14	22	32	8	-	230	18	28	141	38	2,07	7284014	7280014
17	15-17	25	36	10	-	260	22	32	162	46	3,66	7284017	7280017
20	18-20	27	40	12	-	300	25	35	186	52	5,35	7284020	7280020
25	22-25	33	40	12	-	285	40	44	180	60	6,22	7284025	7280025
30	26-30	40	55	14	22	335	50	55	182	62	10,10	7284030	7280030
35	31-35	44	60	27	35	390	55	60	207	68	23,64	7284035	7280035
40	36-40	50	70	29	37	460	60	65	231	70	33,22	7284040	7280040

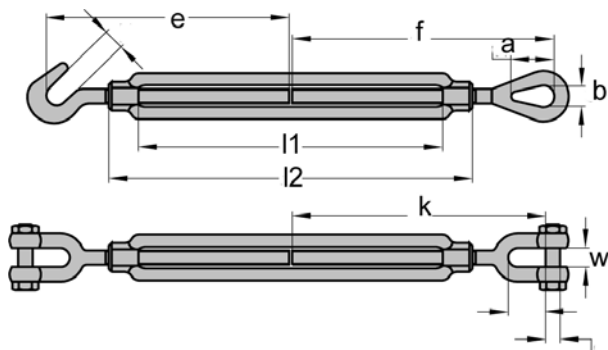
### Zaključek jeklene vrvi DIN 43148

Open wedge socket similar to DIN 43148



Velikost Ø vrvi	Število lukenj na zagodbi	Nosilnost							Teža	Oznaka
Nominal size = rope (mm)	Number of holes in the wedge	Working load limit (kg)	a mm	b mm	d mm	h1 mm	h2 mm	w mm	Weight Per piece (kg)	Art. No.
2-4	0	100	15	8	7,5	37	66	12,5	0,08	7380024
4-5	0	250	23	12	12	67	108	16	0,36	7380045
6-7	3	500	26	14	14	85	150	30	0,75	7380067
8	2	500	26	14	14	81	150	24	0,69	7380008
9-12	1	500	26	14	14	76	150	20	0,65	7380912
10-12	2	100	31	17	17	81	163	24	0,82	7380012
12-14	1	100	31	17	17	76	163	20	0,78	7380214
12-15	0	2500	40	20	20	107	220	36	2,56	7380215
16-17	0	5600	52	24	25	148	220	56	6,30	7380617
16-20	0	5600	52	24	25	136	273	49	6,30	7380620
19-20	0	8100	63	29	25	161	276	52	7,50	7380920
21-26	0	7000	66	30	33,5	210	370	81	12,90	7380126
24-26	0	7000	66	30	33,5	179	370	77	12,90	7380426
27-32	0	10000	91	37	48,5	212	486	88	27,00	7380732

# Napenjalci Turnbuckles



**Napenjalec po U.S. standardih  
z dolgim navojem pocinkani**

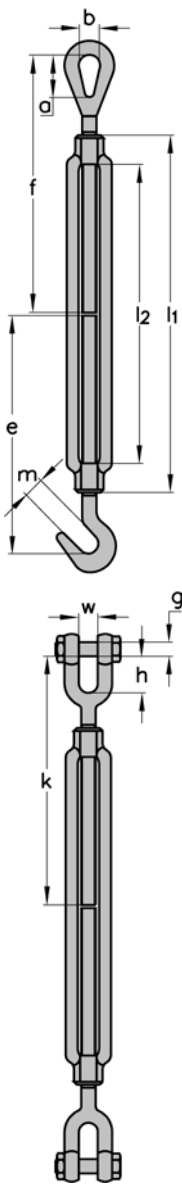
**Turnbuckle acc. to U.S. federal specifications  
with extra long take up galvanized**

Velikost												Nosilnost v kg working load limit approx. kg	Nosilnost v kg weight per piece kg			
Nominal size* inch	l1 mm	l2 mm	m mm	e mm	a mm	b mm	f mm	w mm	h mm	g inch	k mm	2 očesi + 2 čeljusti	2 kavolja + oko	2 očesi/ kavljaj + očesi 2 kavolja	čeljust + oko	2 čeljusti
												2 eyes/ eye + jaw/ 2 jaws	2 hooks/ hook + eye	2 eye/ hook + eye/ 2 hooks	Jaw + eye	2 jaws
3/8 x 6	180	152	12	129	28	13	137	12	22	1 5/16	137	540	450	0,39	0,42	0,45
1/2 x 6	190	152	15	147	36	18	153	16	27	1 3/8	147	1000	680	0,67	0,72	0,76
1/2 x 9	266	228	15	187	36	18	193	16	27	1 3/8	187	1000	680	0,84	0,89	0,93
1/2 x 12	342	304	15	222	36	18	228	16	27	1 3/8	222	1000	680	1,01	1,06	1,10
5/8 x 6	200	152	20	166	44	22	177	19	33	1 1/2	161	1590	1020	1,07	1,16	1,25
5/8 x 9	276	228	20	206	44	22	217	19	33	1 1/2	201	1590	1020	1,31	1,40	1,49
5/8 x 12	352	304	20	241	44	22	252	19	33	1 1/2	236	1590	1020	1,55	1,64	1,73
5/8 x 18	505	457	20	321	44	22	332	19	33	1 1/2	316	1590	1020	-	2,21	-
3/4 x 6	210	152	23	181	54	25	196	23	38	1 5/8	173	2360	1360	1,75	1,89	2,03
3/4 x 9	287	228	23	221	54	25	236	23	38	1 5/8	213	2360	1360	2,09	2,23	2,37
3/4 x 12	362	304	23	256	54	25	271	23	38	1 5/8	248	2360	1360	2,42	2,56	2,70
3/4 x 18	515	457	23	336	54	25	351	23	38	1 5/8	328	2360	1360	3,08	3,22	3,36
7/8 x 12	372	304	26	273	60	31	287	28	44	1 3/4	266	3.270	1810	3,56	3,80	4,04
7/8 x 18	524	457	26	353	60	31	367	28	44	1 3/4	346	3.270	1810	4,43	4,67	4,91
1 x 12	381	304	29	286	76	36	323	30	52	1 7/8	286	4540	2270	5,05	5,33	5,61
1 x 18	533	457	29	366	76	36	403	30	52	1 7/8	366	4540	2270	6,25	6,53	6,81
1 1/4 x 12	387	304	-	-	90	46	360	44	71	1 1/8	330	6890	-	8,60	9,20	9,80
1 1/4 x 18	540	457	-	-	90	46	440	44	71	1 1/8	380	6890	-	10,40	11,00	11,60
1 1/4 x 24	693	610	-	-	90	46	495	44	71	1 1/8	479	6890	-	sur dem.		
1 1/2 x 12	400	304	-	-	104	54	390	52	71	1 3/8	360	9710	-	13,20	14,30	15,40
1 1/2 x 18	550	457	-	-	104	54	465	52	71	1 3/8	430	9710	-	15,82	16,92	18,02
1 1/2 x 24	703	610	-	-	104	54	540	52	71	1 3/8	496	9710	-			1 3/4 x 18
570	457	-	-	-	-	-	60	86	1 3/4	440	12700	-	-	-	23,56	
1 3/4 x 24	720	610	-	-	-	-	577	60	86	1 3/4	500	12700	-			26,81
2 x 24	735	610	-	-	-	-	632	64	95	2 3/8	540	16780	-			45,04
2 1/2 x 24	800	610	-	-	-	-	-	73	113	2 1/2	580	27220	-	-	-	72,32

# Napenjanci Turnbuckles

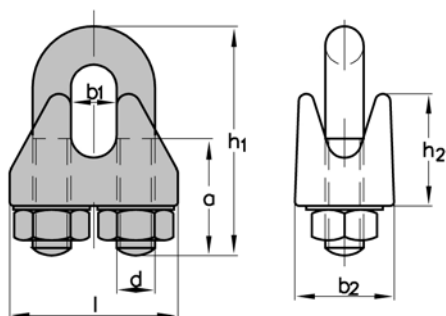
**Napenjalec po U.S. standardih  
z dolгим navojem pocinkani**

Turnbuckle acc. to U.S. federal specifications  
with extra long take up galvanized



Velikost Nominal size * inch	Oznaka Art. No.				
	2 očesi 2 eye	Kavelj+oko hook+eye	2 kavlja 2 hooks	Čeljust+oko jaw+eye**	2 čeljusti 2 jaws**
	3/8 x 6	6351386	6350386	6352386	6353386
1/2 x 6	6351126	6350126	6352126	6353126	6354126
1/2 x 9	6351129	6350129	6352129	6353129	6354129
1/2 x 12	6351212	6350212	6352212	6353212	6354212
5/8 x 6	6351586	6350586	6352586	6353586	6354586
5/8 x 9	6351589	6350589	6352589	6353589	6354589
5/8 x 12	6351512	6350512	6352512	6353512	6354512
5/8 x 18	6351518	6350518	6352518	6353518	6354518
3/4 x 6	6351346	6350346	6352346	6353346	6354346
3/4 x 9	6351349	6350349	6352349	6353349	6354349
3/4 x 12	6351312	6350312	6352312	6353312	6354312
3/4 x 18	6351318	6350318	6352318	6353318	6354318
7/8 x 12	6351712	6350712	6352712	6353712	6354712
7/8 x 18	6351718	6350718	6352718	6353718	6354718
1 x 12	6351112	6350112	6352112	6353112	6354112
1 x 18	6351118	6350118	6352118	6353118	6354118
1 1/4 x 12	6351412	6350412	6352412	6353412	6354412
1 1/4 x 18	6351418	6350418	6352418	6353418	6354418
1 1/2 x 12	6351912	6350912	6352912	6353912	6354912
1 1/2 x 18	6351918	6350918	6352918	6353918	6354918
1 3/4 x 18	-	-	-	-	6354018
1 3/4 x 24	-	-	-	-	6354124
2 x 24	-	-	-	-	6354224
2 1/2 x 24	-	-	-	-	6354524

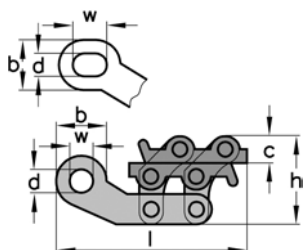
# Napenjalci Turnbuckles



Žična spona po DIN 1141

Wire rope clip acc. to DIN 1142

Velikost za vrv $\varnothing$								Teža	Oznaka
Nominal size max. rope- $\varnothing$ mm	a mm	b1 mm	b2 mm	d	h1 mm	h2 mm	l mm	Weight per 100 pieces kg	Art. No
5	13	7	13	M 5	25	13	25	2,1	1820005
6,5	17	8	16	M 6	32	14	30	4,0	1820065
8	20	10	20	M 8	41	18	39	8,2	1820008
10	24	12	20	M 8	46	21	40	9,2	1820010
13	30	15	28	M 12	64	29	55	27,5	1820013
16	35	18	32	M 14	76	35	64	43,0	1820016
19	36	22	32	M 14	83	40	68	49,0	1820019
22	40	24	34	M 16	96	44	74	68,0	1820022
26	50	26	38	M 20	111	51	84	117,0	1820026
30	55	34	41	M 20	127	59	95	140,0	1820030
34	60	38	45	M 22	141	67	105	213,0	1820034
40	65	44	49	M 24	159	77	117	268,0	1820040



Paralelni natezalec

Rope tension clip

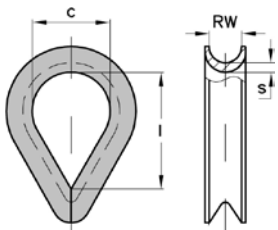
Velikost	Vrv fi $\varnothing$	Presek vrvi v mm <sup>2</sup>				Zaprt Closed	Odprt Open	Odprtina Opening			Teža	Oznaka
Nominal size	Rope (mm)	Rope cross section mm <sup>2</sup>	b mm	c mm	d mm	h mm	d mm	r mm	l mm	w mm	Weight per piece kg	Art. No.
4	1-4	1-16	36	15	19	47	51	6,5	124	19	0,25	7381004
8	3-8	6-35	47	21	20	76	82	10,0	169	20	0,85	7381008
10	5-10	16-70	44	24	18	80	88	12,0	195	18	1,10	7381010
16	8-16	50-150	54	25	30	83	97	19,0	245	39	1,80	7381016
26	12-26	95-400	62	31	29	107	130	26,0	265	38	3,50	7381026
38	20-38	240-800	62	36	29	126	153	40,0	286	38	6,50	7381038

# Srca Thimbles



## Srca DIN 6899 tip BF

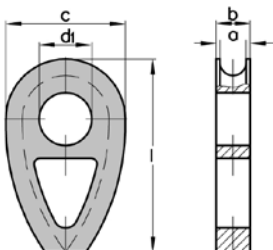
Thimble acc. to DIN 6899 type BF



Velikost				Teža za 100 kos v kg	Oznaka
RW mm	c mm	l approx. mm	s mm	Weight per 100 pieces kg	Art. No..
3	12	19	1,2	0,5	310003
4	13	21	1,2	0,8	310004
5	14	23	1,7	1	310005
6	16	25	2,2	1,6	310006
7	18	28	2,2	1,9	310007
8	20	32	2,7	3	310008
10	24	38	2,9	4,7	310010
12	28	45	3,2	6,8	310012
13	30	48	3,2	7,5	310013
14	32	51	3,5	10	310014
16	36	58	3,8	14,5	310016
17	38	61	3,8	18	310017
18	40	64	4,2	19	310018
20	45	72	5,2	29	310020
22	50	80	5,2	32	310022
24	56	90	6,2	50	310024
26	62	99	6,5	59	310026
28	70	112	7,3	82	310028
30	75	120	8	100	310030
32	80	128	8	130	310032
34	95	152	8	160	310034
36	100	160	8	170	310036
38	110	176	8,5	180	310038
40	115	184	10,5	275	310040
42	120	192	10,5	300	310042
45	150	240	10,5	350	310045
50	160	245	12	540	310050
60	170	260	12	740	310060
65	180	300	13	830	310065
75	200	330	15	1300	310075

## Srca DIN 3091

Solid thimble acc. to DIN 3091



Velikost			Približna velikost	Največji premer			Teža	Oznaka ne obdelana	Oznaka obdelana
nominal size = max. rope diam.	a mm	b mm	d1* approx. mm standard diam (not machined)	d1 max. possible machined diameter in mm	c mm	l mm	Weight per piece kg	Art. No.. not machined	Art. No. machined
8	9	15	14	20	40	66	0,181	910008	911008
10	11	17,5	18	25	50	82	0,318	910010	911010
12	13	20	21	30	60	98	0,515	910012	911012
14	16	23,5	25	35	70	114	0,799	910014	911014
16	18	26	28	40	80	130	0,895	910016	911016
18	20	28,5	31	45	90	145	1,211	910018	911018
20	22	31	35	50	100	161	1,61	910020	911020
22	24	33,5	38	55	110	177	2,11	910022	911022
24	26	36	41	60	120	193	2,71	910024	911024
26	29	39,5	44	65	130	209	3,55	910026	911026
28	31	42	47	70	140	224	4,2	910028	911028
32	35	47	53	80	160	256	6,3	910032	911032
36	40	53	59	90	180	288	8,84	910036	911036
40	44	58	65	100	200	320	11,0	910040	911040
44	48	63	70	110	220	352	15,0	910044	911044
48	53	69	76	120	240	384	20,0	910048	911048
52	57	74	81	130	260	416	25,0	910052	911052
56	62	80	86	140	280	448	32,0	910056	911056
64	70	90	95	160	320	512	46,0	910064	911064
72	79	101	104	180	360	576	66,0	910072	911072
80	88	112	112	200	400	640	90,0	910080	911080