

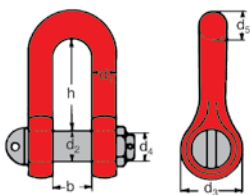
Škopec po DIN 82101

Shackle similar to DIN 82101

| Velikost | Nosilnost | | | | | | | | Teža v kg | Oznaka | | | |
|--------------|-----------------------|-------|-------|-------|-----|-------|------|------|---------------------|----------|--------|---------|---------|
| Nominal size | Working load limit kg | d1 mm | d2 mm | d3 mm | d4 | d5 mm | b mm | h mm | Weight per piece kg | Art. No. | | | |
| Tip A | Tip C | | | | | | | | | Tip A | Tip C | Tip A | Tip C |
| Type A | Type C | | | | | | | | | Type A | Type C | Type A | Type C |
| 0,1 | - | 100 | 4 | 5 | 10 | M 5 | 5 | 7 | 15,5 | 0,02 | - | 5841001 | - |
| 0,16 | - | 160 | 5 | 6 | 12 | M 6 | 6 | 8 | 18,0 | 0,02 | - | 5841002 | - |
| 0,25 | - | 250 | 7 | 8 | 16 | M 8 | 8 | 11 | 24,0 | 0,05 | - | 5841003 | - |
| 0,4 | 0,4 | 400 | 8 | 10 | 20 | M 10 | 10 | 14 | 30,0 | 0,09 | 0,10 | 5841004 | 5445004 |
| 0,6 | 0,6 | 630 | 10 | 12 | 24 | M 12 | 12 | 17 | 36,0 | 0,17 | 0,18 | 5841006 | 5445006 |
| 1 | 1 | 1000 | 13 | 16 | 32 | M 16 | 15 | 21 | 49,0 | 0,36 | 0,39 | 5841010 | 5445010 |
| 1,6 | 1,6 | 1600 | 17 | 20 | 40 | M 20 | 19 | 27 | 61,0 | 0,75 | 0,80 | 5841016 | 5445016 |
| 2 | 2 | 2000 | 19 | 22 | 44 | M 22 | 21 | 30 | 67,0 | 1,00 | 1,08 | 5841020 | 5445020 |
| 2,5 | 2,5 | 2500 | 21 | 24 | 48 | M 24 | 23 | 33 | 73,0 | 1,32 | 1,40 | 5841025 | 5445025 |
| 3 | 3 | 3150 | 24 | 27 | 54 | M 27 | 26 | 38 | 83,5 | 1,85 | 2,00 | 5841030 | 5445030 |
| 4 | 4 | 4000 | 27 | 30 | 60 | M 30 | 29 | 42 | 91,0 | 2,50 | 2,70 | 5841040 | 5445040 |
| 5 | 5 | 5000 | 30 | 36 | 72 | M 36 | 33 | 47 | 111,0 | 4,00 | 4,30 | 5841050 | 5445050 |
| 6 | 6 | 6300 | 34 | 39 | 78 | M 39 | 37 | 53 | 119,5 | 5,40 | 5,80 | 5841060 | 5445060 |
| 8 | 8 | 8000 | 38 | 45 | 90 | M 45 | 41 | 60 | 139,5 | 7,90 | 8,50 | 5841080 | 5445080 |
| 10 | 10 | 10000 | 42 | 48 | 96 | M 48 | 45 | 66 | 147,0 | 10,00 | 10,80 | 5841100 | 5445100 |
| 12 | 12 | 12500 | 47 | 52 | 104 | M 52 | 50 | 73 | 158,0 | 13,50 | 14,40 | 5841120 | 5445120 |
| 16 | 16 | 16000 | 52 | 60 | 120 | M 60 | 55 | 81 | 185,0 | 19,20 | 20,50 | 5841160 | 5445160 |
| 20 | 20 | 20000 | 58 | 68 | 136 | M 68 | 61 | 90 | 211,0 | 28,00 | 29,50 | 5841200 | 5445200 |
| 25 | 25 | 25000 | 63 | 72 | 144 | M 72 | 67 | 100 | 221,0 | 34,00 | 36,00 | 5841250 | 5445250 |
| - | 32 | 31500 | 70 | 80 | 160 | M 80 | 74 | 110 | 246,0 | - | 49,50 | - | 5445320 |

Škopec verižni kvaliteta 80 tip C

Shackle Grade 80 type C

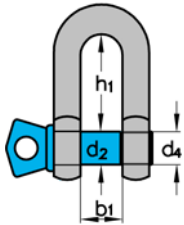


| Velikost | Nosilnost | Velikost Po DIN 82101 | | | | | | | | | Teža | Oznaka |
|--------------|-----------------------|--------------------------------|-------|-------|-------|------|-------|------|------|---------------------|----------|--------|
| Nominal size | Working load limit kg | Nominal size acc. to DIN 82101 | d1 mm | d2 mm | d3 mm | d4 | d5 mm | b mm | h mm | Weight per piece kg | Art. No. | |
| 8-8 | 2000 | 0,6 | 10 | 12 | 24 | M 12 | 12 | 17 | 36 | 0,2 | 5940008 | |
| 10-8 | 3200 | 1 | 13 | 16 | 32 | M 16 | 15 | 21 | 49 | 0,4 | 5940010 | |
| 13-8 | 5000 | 1,6 | 17 | 20 | 40 | M 20 | 19 | 27 | 61 | 0,8 | 5940013 | |
| 16-8 | 8000 | 2,5 | 21 | 24 | 48 | M 24 | 23 | 33 | 73 | 1,5 | 5940016 | |
| 18/20-8 | 12500 | 4 | 27 | 30 | 60 | M 30 | 29 | 42 | 89 | 3,0 | 5940018 | |
| 22-8 | 15000 | 5 | 30 | 36 | 72 | M 36 | 33 | 47 | 111 | 4,3 | 5940022 | |

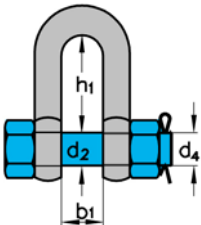
Škopic visokoodporni pocinkani

Shackle, high tensile galvanized

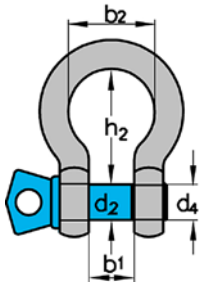
HA1



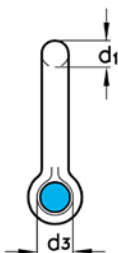
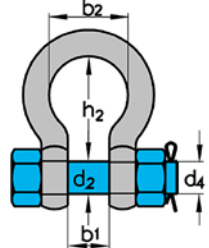
HC1



HA2



HC2

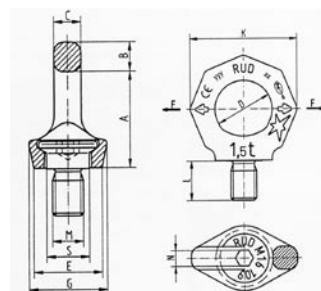


| Velikost Nominal size inch | Nosilnost Working load limit kg | d1 mm | d2 mm | d3 mm | d4 inch | b1 mm | b2 mm | h1 mm | h2 mm | Teža v kg Weight per piece kg | | | |
|-------------------------------|------------------------------------|----------|----------|----------|------------|----------|----------|----------|----------|----------------------------------|-------|-------|--------|
| | | | | | | | | | | HC1 | HA1 | HA2 | HC2 |
| 1/4 | 500 | 6,5 | 8 | 17 | 5/16 | 12 | 20 | - | 28 | - | - | 0,05 | - |
| 5/16 | 750 | 8 | 10 | 21 | 3/8 | 13 | 21 | 26 | 31 | - | 0,08 | 0,08 | - |
| 3/8 | 1000 | 10 | 11 | 25 | 7/16 | 16 | 26 | 31 | 36 | - | 0,13 | 0,14 | - |
| 7/16 | 1500 | 11 | 13 | 27 | 1/2 | 18 | 29 | 36 | 42 | - | 0,19 | 0,22 | - |
| 1/2 | 2000 | 13 | 16 | 30 | 5/8 | 21 | 33 | 41 | 48 | 0,34 | 0,31 | 0,33 | 0,37 |
| 5/8 | 3250 | 16 | 19 | 40 | 3/4 | 27 | 43 | 51 | 60 | 0,70 | 0,55 | 0,65 | 0,71 |
| 3/4 | 4750 | 19 | 22 | 48 | 7/8 | 32 | 51 | 60 | 71 | 1,18 | 0,96 | 0,97 | 1,27 |
| 7/8 | 6500 | 22 | 25 | 54 | 1 | 36 | 58 | 71 | 84 | 1,64 | 1,40 | 1,52 | 1,78 |
| 1 | 8500 | 25 | 29 | 60 | 1 1/8 | 43 | 68 | 81 | 95 | 2,41 | 2,03 | 2,39 | 2,52 |
| 1 1/8 | 9500 | 29 | 32 | 67 | 1 1/4 | 46 | 74 | 90 | 108 | 3,27 | 2,97 | 3,15 | 3,53 |
| 1 1/4 | 12000 | 32 | 35 | 76 | 1 3/8 | 52 | 82 | 100 | 119 | 4,59 | 4,01 | 4,32 | 5,04 |
| 1 3/8 | 13500 | 35 | 38 | 84 | 1 1/2 | 57 | 92 | 113 | 133 | 6,00 | 5,40 | 5,67 | 6,84 |
| 1 1/2 | 17000 | 38 | 41 | 92 | 1 5/8 | 60 | 98 | 124 | 146 | 8,33 | 7,29 | 7,79 | 8,78 |
| 1 3/4 | 25000 | 44 | 51 | 110 | 2 | 73 | 127 | 146 | 178 | 12,83 | 11,25 | 12,51 | 14,09 |
| 2 | 35000 | 51 | 57 | 127 | 2 1/4 | 83 | 146 | 171 | 197 | 18,50 | 16,20 | 18,50 | 20,84 |
| 2 1/2 | 55000 | 63 | 70 | 152 | 2 3/4 | 105 | 184 | 203 | 267 | 38,03 | 33,30 | 37,58 | 42,30 |
| 3 | 85000 | 76 | 82 | 165 | 3 1/4 | 127 | 200 | 216 | 330 | 55,35 | - | - | 65,25 |
| 3 1/2 | 120000 | 89 | 95 | 203 | 3 3/4 | 146 | 230 | 267 | 381 | 98,10 | - | - | 112,50 |
| 4 | 150000 | 102 | 108 | 229 | 4 1/4 | 165 | 260 | 305 | 432 | 139,50 | - | - | 161,50 |
| 4 3/8 | 175000 | 111 | 130 | 262 | 5 1/8 | 184 | 290 | - | 464 | - | - | - | 236,25 |

| Velikost Nominal size inch | Nosilnost Working load limit kg | Oznaka Art. No. | | | |
|-------------------------------|------------------------------------|--------------------|---------|---------|---------|
| | | HC1 | HA1 | HA2 | HC2 |
| 1/4 | 500 | - | - | 5542005 | - |
| 5/16 | 750 | - | 5541007 | 5542075 | - |
| 3/8 | 1000 | - | 5541010 | 5542010 | - |
| 7/16 | 1500 | - | 5541015 | 5542015 | - |
| 1/2 | 2000 | 5540020 | 5541020 | 5542020 | 5543020 |
| 5/8 | 3250 | 5540032 | 5541032 | 5542032 | 5543032 |
| 3/4 | 4750 | 5540047 | 5541047 | 5542047 | 5543047 |
| 7/8 | 6500 | 5540065 | 5541065 | 5542065 | 5543065 |
| 1 | 8500 | 5540085 | 5541085 | 5542085 | 5543085 |
| 1 1/8 | 9500 | 5540095 | 5541095 | 5542095 | 5543095 |
| 1 1/4 | 12000 | 5540120 | 5541120 | 5542120 | 5543120 |
| 1 3/8 | 13500 | 5540135 | 5541135 | 5542135 | 5543135 |
| 1 1/2 | 17000 | 5540170 | 5541170 | 5542170 | 5543170 |
| 1 3/4 | 25000 | 5540250 | 5541250 | 5542250 | 5543250 |
| 2 | 35000 | 5540350 | 5541350 | 5542350 | 5543350 |
| 2 1/2 | 55000 | 5540500 | 5541500 | 5542500 | 5543500 |
| 3 | 85000 | 5540750 | - | - | 5543750 |
| 3 1/2 | 120000 | 5540910 | - | - | 5543910 |
| 4 | 150000 | 5540930 | - | - | 5543930 |
| 4 3/8 | 175000 | - | - | - | 5543950 |

Očesni vijaki

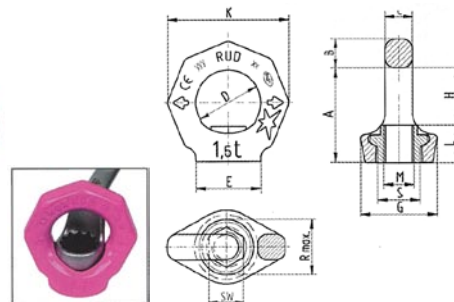
Eye bolts



Očesni vijak tip VRS

Eye bolt type VRS

| Tip | Nosilnost t | Teža kg | A | B | C | D | E | G | K | L | M | N | S | Oznaka | Oznaka |
|-----------------|-------------|---------|-----|----|-----|----|-----|-----|-----|----|--------|--------|------|---------------------|------------------|
| Type | WLL t | Wt kg | | | | | | | | | | | | Art. No. (standard) | Art. No. (vario) |
| VRS-M 8 | 0,4 | 0,1 | 34 | 11 | 8,5 | 25 | 25 | 28 | 47 | 12 | 8 | 6 | 16 | 71 00 554 | 85 00 911 |
| VRS-M 10 | 0,4 | 0,1 | 34 | 11 | 8,5 | 25 | 25 | 28 | 47 | 15 | 10 | 6 | 5 | 71 00 555 | 71 04 029 |
| VRS-M 12 | 0,75 | 0,2 | 42 | 13 | 10 | 30 | 30 | 34 | 56 | 18 | 12 | 8 | 18 | 71 00 556 | 71 01 313 |
| VRS-M 16 | 1,5 | 0,3 | 49 | 15 | 14 | 35 | 35 | 40 | 65 | 24 | 16 | 10 | 22 | 71 00 558 | 71 01 314 |
| VRS-M 20 | 2,3 | 0,5 | 57 | 17 | 16 | 40 | 40 | 50 | 75 | 30 | 20 | 12 | 27,5 | 71 00 559 | 71 01 315 |
| VRSM 24 | 3,2 | 0,9 | 69 | 21 | 19 | 48 | 48 | 60 | 90 | 36 | 24 | 14 | 33 | 71 00 560 | 71 01 316 |
| VRS-M 30 | 4,5 | 1,7 | 86 | 26 | 24 | 60 | 60 | 75 | 112 | 45 | 30 | 17 | 41,5 | 71 00 561 | 71 01 317 |
| VRS-M 36 | 7 | 2,9 | 103 | 32 | 29 | 72 | 75 | 90 | 135 | 54 | 36 | 22 | 49,5 | 71 00 562 | 71 04 030 |
| VRS-M 42 | 9 | 4,6 | 120 | 38 | 34 | 82 | 85 | 105 | 158 | 63 | 42 | 24 | 58 | 71 00 563 | 71 04 031 |
| VRS-M 48 | 12 | 7,0 | 137 | 43 | 38 | 94 | 100 | 120 | 180 | 72 | 48 | 27 | 66 | 71 00 564 | 71 04 032 |
| VRS-3/8"-16UNC | 0,4 | 0,1 | 34 | 11 | 8,5 | 25 | 25 | 28 | 47 | 15 | 3/8" | 1/4" | 15 | 71 03 959 | 71 04 480 |
| VRS-1/2"-13UNC | 0,75 | 0,2 | 42 | 13 | 10 | 30 | 30 | 34 | 56 | 18 | 1/2" | 5/6" | 18 | 71 03 960 | 71 04 481 |
| VRS-5/8"-11UNC | 1,5 | 0,3 | 49 | 15 | 14 | 35 | 35 | 40 | 65 | 24 | 5/8" | 3/8" | 22 | 71 03 961 | 71 04 482 |
| VRS-3/4"-10UNC | 2,3 | 0,5 | 57 | 17 | 16 | 40 | 40 | 50 | 75 | 30 | 3/4" | 1/2" | 27,5 | 71 03 962 | 71 04 483 |
| VRS-7/8"-9UNC | 2,3 | 0,6 | 57 | 17 | 16 | 40 | 40 | 50 | 75 | 32 | 7/8" | 1/2" | 27,5 | 71 03 963 | 71 04 484 |
| VRS-1"-8UNC | 3,2 | 0,9 | 69 | 21 | 19 | 48 | 48 | 60 | 90 | 36 | 1" | 9/16" | 33 | 71 03 964 | 71 04 485 |
| VRS-1 1/4"-7UNC | 4,5 | 1,7 | 86 | 26 | 24 | 60 | 60 | 75 | 112 | 45 | 1 1/4" | 5/8" | 41,5 | 71 03 965 | 71 04 486 |
| VRS-1 1/2"-6UNC | 7 | 2,9 | 103 | 32 | 29 | 72 | 75 | 90 | 135 | 54 | 1 1/2" | 7/8" | 49,5 | 71 03 966 | 71 04 487 |
| VRS-1 3/4"-5UNC | 9 | 4,6 | 120 | 38 | 34 | 82 | 85 | 105 | 158 | 63 | 3/4" | 1" | 58 | 71 03 967 | 71 04 488 |
| VRS-2"-4 1/2UNC | 12 | 7,0 | 137 | 43 | 38 | 94 | 100 | 120 | 180 | 72 | 2" | 1 1/8" | 66 | 71 03 968 | 71 04 489 |



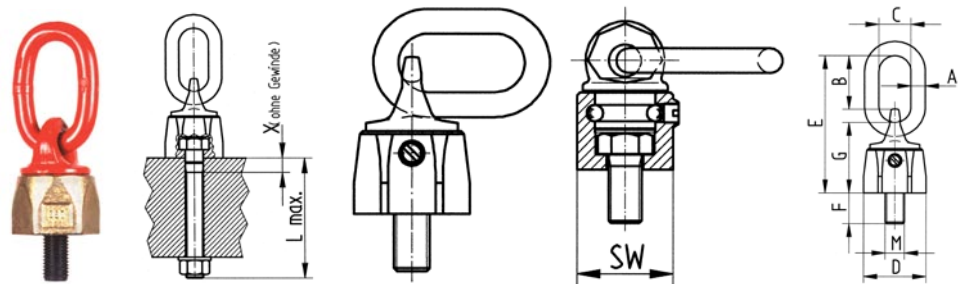
Očesna matica tip VRM

Eye nut type VRM

| Tip | Nosilnot t | Teža kg | A | B | C | D | E | G | K | L | M | N | S | Oznaka |
|---------|------------|---------|----|----|-----|----|----|----|-----|----|----|----|----|----------|
| Type | WLL t | Wt kg | | | | | | | | | | | | Art. No. |
| VRM 8 | 0,4 | 0,1 | 34 | 11 | 8,5 | 25 | 25 | 28 | 47 | 14 | 8 | 6 | 16 | 7992989 |
| VRM 10 | 0,4 | 0,1 | 34 | 11 | 8,5 | 25 | 25 | 28 | 47 | 14 | 10 | 6 | 5 | 7990311 |
| VR-M 12 | 0,75 | 0,2 | 42 | 13 | 10 | 30 | 30 | 34 | 56 | 17 | 12 | 8 | 18 | 7990312 |
| VRM 16 | 1,5 | 0,3 | 51 | 15 | 14 | 35 | 35 | 40 | 65 | 21 | 16 | 10 | 22 | 7990314 |
| VRM 20 | 2,3 | 0,5 | 57 | 17 | 16 | 40 | 40 | 50 | 75 | 23 | 20 | 12 | 29 | 7990315 |
| VRM 24 | 3,2 | 0,9 | 69 | 21 | 19 | 48 | 48 | 60 | 90 | 29 | 24 | 14 | 33 | 7990316 |
| VRM 30 | 4,5 | 1,5 | 86 | 26 | 24 | 60 | 60 | 75 | 112 | 34 | 30 | 17 | 44 | 7993008 |

Očesni vijaki

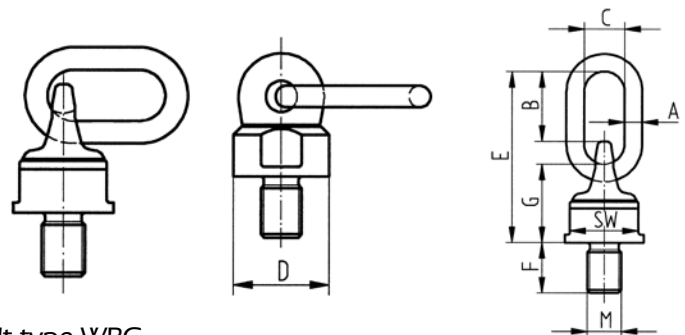
Eye bolts



Očesni vijak tip WBG

Eye bolt type WBG

| Tip | Nosilnot | Teža kg | A | B | C | D | E | F | F | G | M | SW | X | | Oznaka | Oznaka |
|-------------------|------------|---------|----|----|----|----|-----|-------------|-----|-----|----|----|----|-------------------------|---------------------|------------------|
| Type | WLL t | Wt kg | | | | | | Stand. (kg) | | | | | | Torque | Art. No. (standard) | Art. No. (vario) |
| WBG-V 0,3 – M 8 | 0,3 (0,4) | 0,25 | 8 | 33 | 29 | 36 | 76 | 13 | 102 | 36 | 8 | 28 | 18 | hand tight with spanner | 7103720 | 8600230 |
| WBG-V 0,45 – M 10 | 0,45 (0,6) | 0,3 | 8 | 33 | 29 | 36 | 78 | 17 | 122 | 38 | 10 | 30 | 19 | | 7103715 | 8600231 |
| WBG-V 0,6 – M 12 | 0,6 (0,75) | 0,5 | 10 | 51 | 35 | 42 | 105 | 21 | 140 | 45 | 12 | 36 | 19 | | 7100180 | 8600232 |
| WBG-V 1,3 – M 16 | 1,3 (1,5) | 0,6 | 10 | 49 | 35 | 48 | 114 | 30 | 180 | 54 | 16 | 41 | 28 | | 7100430 | 8600233 |
| WBG-V 2,0 – M 20 | 2,0 (2,5) | 1,1 | 13 | 56 | 35 | 64 | 135 | 33 | 223 | 65 | 20 | 55 | 30 | | 7100800 | 8600234 |
| WBG-V3,5 – M 24 | 3,5 (4,0) | 2,7 | 18 | 68 | 40 | 81 | 172 | 40 | 255 | 87 | 24 | 70 | 25 | | 7100640 | 8600235 |
| WBG-V 5,0 – M 30 | 5,0 (6,0) | 5,5 | 22 | 93 | 50 | 99 | 220 | 50 | 330 | 105 | 30 | 85 | 32 | | 7100650 | 8600236 |



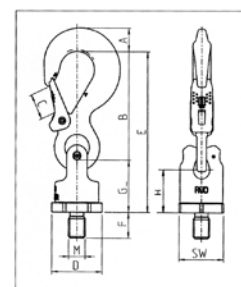
Očesni vijak tip WBG

Eye bolt type WBG

| Tip | Nosilnost t | Teža Kg | A | B | C | D | E | F | F | G | M | SW | | Oznaka | Oznaka | |
|------------------------|-------------|---------|----|-----|----|-----|-----|-----|---------|-----|--------|-----|-------------------------|-------------------|----------------|-----------|
| Type | WLL t | Wt kg | | | | ø | | | vario | | | | Torque | Art. No. standard | Art. No. vario | |
| WBG 8- M 36 | 8 (10) | 5,6 | 22 | 87 | 50 | 90 | 210 | 54 | - | 99 | 36 | 80 | hand tight with spanner | 51 872 | | |
| WBG 8- special thread | 8(10) | - | 22 | 87 | 50 | 90 | 210 | - | 50-300 | 99 | 36-39 | 80 | | | | 86 00 151 |
| WBG 10-M42 | 10 (12,5) | 6,1 | 26 | 112 | 65 | 98 | 240 | 63 | - | 100 | 42 | 85 | | | 51 874 | |
| WBG 10-M48 | 10 (12,5) | 6,2 | 26 | 112 | 65 | 98 | 240 | 68 | - | 100 | 48 | 85 | | | 51930 | |
| WBG 10- special thread | 10 (12,5) | - | 26 | 112 | 65 | 98 | 240 | - | 60-300 | 100 | 42-52 | 85 | | | | 86 00 152 |
| WBG 15-M56 | 15 (18) | 10,5 | 32 | 112 | 70 | 120 | 280 | 84 | - | 130 | 56 | 95 | | | 51941 | |
| WBG 15-M 64 | 15 (18) | 11,5 | 32 | 120 | 70 | 120 | 280 | 95 | - | 130 | 64 | 95 | | | 71 00 406 | |
| WBG 15- special thread | 15 (18) | - | 32 | 120 | 70 | 120 | 280 | - | 80-300 | 130 | 56-85 | 95 | | | | 86 00 153 |
| WBG 25-M 72 | 25 (30) | 27 | 40 | 120 | 80 | 160 | 332 | 108 | - | 163 | 72 | 130 | | | 79 90 332 | |
| WBG 25- special thread | 25 (30) | - | 40 | 125 | 80 | 160 | 332 | - | 100-300 | 163 | 72 | 130 | | | | 86 00 155 |
| WBG 30-M 80 | 30 (35) | 28,7 | 40 | 125 | 80 | 170 | 332 | 120 | - | 163 | 80 | 130 | | | 79 90 333 | |
| WBG 30- special thread | 30 (35) | - | 40 | 125 | 80 | 170 | 332 | - | 100-300 | 163 | 80-85 | 130 | | | | 86 00 156 |
| WBG 35-M 90 | 35 (40) | 30,7 | 40 | 125 | 80 | 170 | 332 | 135 | - | 165 | 90 | 130 | | | 79 85 363 | |
| WBG 35- special thread | 35 (40) | - | 40 | 125 | 80 | 170 | 332 | - | 100-300 | 165 | 90-150 | 130 | | | | 86 00154 |

Očesni vijaki

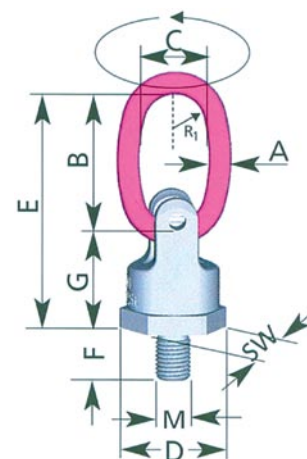
Eye bolts



Očesni vijak s kavljem tip PP-S

Eye bolt with hook type PP-S

| Tip | Nosilnost t | Teža kg | A | B | C | D | E | F | F | G | H | M | SW | | Oznaka | Oznaka |
|-----------------------|-------------|---------|----|-----|----|-----|-----|----------|--------|-----|----|------|----|-------------------------|-------------------|----------------|
| Type | WLL t | Wt kg | | | | | | standard | vario | | | | | Torque | Art. No. standard | Art. No. vario |
| PP-S-0,63t-M12 | 0,63 | 0,4 | 13 | 75 | 18 | 40 | 116 | 18 | 19-145 | 41 | 34 | 12 | 36 | hand tight with spanner | 7990719 | 8600300 |
| PP-S-1,5t-M16 | 1,5 | 1,0 | 20 | 97 | 25 | 46 | 147 | 25 | 26-180 | 50 | 40 | 16 | 41 | | 7990719 | 8600301 |
| PP-S-2,5t-M20 | 2,5 | 1,7 | 28 | 123 | 30 | 61 | 187 | 30 | 31-200 | 61 | 50 | 20 | 55 | | 7989075 | 8600302 |
| PP-S-4t-M24 | 4,0 | 3,5 | 36 | 150 | 35 | 78 | 227 | 36 | 37-255 | 77 | 62 | 24 | 70 | | 7989076 | 8600303 |
| PP-S-5t-M30 | 5,0 | 7,2 | 37 | 174 | 40 | 95 | 267 | 45 | 46-330 | 93 | 77 | 30 | 85 | | 7989720 | 8600304 |
| PP-S-8t-M36 | 8,0 | 9,2 | 49 | 208 | 48 | 100 | 310 | 54 | 55-330 | 102 | 84 | 36 | 90 | | 7989077 | 8600305 |
| PP-S-0,36t-1/2"-13UNC | 0,63 | 0,4 | 13 | 75 | 18 | 40 | 116 | 18 | 19-145 | 41 | 34 | 1/2" | 36 | hand tight with spanner | 7919720 | 8600300 |
| PP-S-1,5t-5/8"-11UNC | 1,5 | 1,0 | 20 | 97 | 25 | 46 | 147 | 25 | 26-180 | 50 | 40 | 5/8" | 41 | | 7989908 | 8600301 |
| PP-S-2,5t-3/4"-10UNC | 2,5 | 1,7 | 28 | 126 | 30 | 61 | 187 | 30 | 31-200 | 61 | 50 | 3/4" | 55 | | 7989909 | 8600302 |
| PP-S-2,5t-7/8"-9UNC | 2,5 | 1,7 | 28 | 126 | 30 | 61 | 187 | 30 | 31-200 | 77 | 50 | 7/8" | 55 | | 7989910 | 8600302 |
| PP-S-4t-1"-8UNC | 4,0 | 3,5 | 36 | 150 | 35 | 78 | 227 | 36 | 37-255 | 93 | 62 | 1" | 70 | | 7989911 | 8600303 |
| PP-S-5t-1/4"-7UNC | 5,0 | 7,2 | 37 | 174 | 40 | 95 | 267 | 45 | 46-330 | 102 | 77 | 1/4" | 85 | | 7989912 | 8600304 |
| PP-S-8t-1/2"-6UNC | 8,0 | 9,2 | 49 | 208 | 48 | 100 | 310 | 54 | 55-300 | | 84 | 1/2" | 90 | 7989913 | 8600305 | |



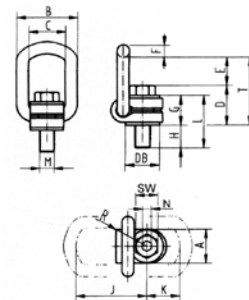
Očesni vijak z obročem tip PP-B

Eye bolt with ring type PP-B

| Tip | Nosilnost t | Teža kg | A | B | C | D | E | F | G | M | SW | Oznaka |
|----------------|-------------|---------|----|-----|----|-----|-----|----|-----|----|----|-------------------|
| Type | WLL t | Wt kg | | | | | | | | | | Art. No. standard |
| PP-B-0,63t-M12 | 0,63 | 0,35 | 9 | 65 | 35 | 40 | 105 | 18 | 41 | 12 | 36 | 7989522 |
| PP-B-1,5t-M16 | 1,5 | 0,6 | 11 | 65 | 35 | 46 | 115 | 25 | 50 | 16 | 41 | 7989523 |
| PP-B-2,5t-M20 | 2,5 | 1,1 | 13 | 75 | 40 | 61 | 135 | 30 | 61 | 20 | 55 | 7989081 |
| PP-B-4t-M24 | 4,0 | 2,1 | 16 | 95 | 45 | 78 | 172 | 36 | 77 | 24 | 70 | 7989082 |
| PP-B-5t-M30 | 5,0 | 4,5 | 21 | 13 | 60 | 95 | 223 | 45 | 93 | 30 | 85 | 7989524 |
| PP-B-8t-M36 | 8,0 | 6,1 | 24 | 140 | 65 | 100 | 242 | 54 | 102 | 36 | 90 | 7989083 |

Očesni vijaki

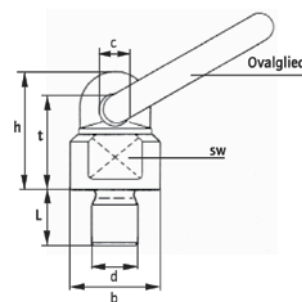
Eye bolts



Očesni vijak tip VLBG

Eye bolt type VLBG

| Tip | Nosilnost | Teža Kg | A | B | C | D | E | F | G | H | H | J | K | L | L | N | SW | R | T | DB | Moment | Oznaka | Oznaka |
|--------------------------|-----------|----------|----|-----|-----|-----|-----|-------|----|-----|-----|-----|-----|-----|-----|----|----|-----|-----|----|--------|--------------------|-----------------|
| Type | WLL t | Weigh kg | | | | | | | | sta | max | | | sta | max | | | | | | Torque | Art.No. (standard) | Art.No. (vario) |
| VLBG 0,3t M8 | 0,3 | 0,3 | 30 | 54 | 34 | 35 | 40 | 10 | 29 | 11 | 76 | 75 | 45 | 40 | 105 | 5 | 13 | 32 | 75 | 24 | 30 | 8500791 | 8600280 |
| VLBG 0,63t M10 | 0,63 | 0,32 | 30 | 54 | 34 | 36 | 39 | 10 | 29 | 16 | 96 | 75 | 45 | 45 | 125 | 6 | 17 | 32 | 75 | 24 | 60 | 8500793 | 8600281 |
| VLBG 1t M12 | 1 | 0,33 | 32 | 54 | 34 | 37 | 38 | 10 | 29 | 21 | 116 | 75 | 45 | 50 | 145 | 8 | 19 | 32 | 75 | 26 | 100 | 8500795 | 8600282 |
| VLBG 1,5t M16 | 1,5 | 0,55 | 33 | 56 | 36 | 46 | 39 | 13,5 | 36 | 24 | 149 | 87 | 47 | 60 | 185 | 10 | 24 | 38 | 85 | 30 | 150 | 8500806 | 8600283 |
| VLBG 2,5t M20 | 2,5 | 1,3 | 50 | 82 | 54 | 55 | 55 | 16,5 | 43 | 32 | 187 | 113 | 64 | 75 | 230 | 12 | 30 | 48 | 110 | 45 | 250 | 8500802 | 8600285 |
| VLBG 4t M24 | 4 | 1,5 | 50 | 82 | 54 | 58 | 66 | 18 | 43 | 37 | 222 | 130 | 78 | 80 | 265 | 14 | 36 | 48 | 125 | 45 | 400 | 8500804 | 8600286 |
| VLBG 4t M27 | 4 | 3,1 | 60 | 103 | 65 | 78 | 69 | 22,5 | 61 | 39 | - | 151 | 80 | 100 | - | - | 41 | 67 | 147 | 60 | 400 | 7983658 | |
| VLBG 5t M30 | 5 | 3,1 | 60 | 103 | 65 | 80 | 67 | 22,5 | 61 | 49 | 279 | 151 | 80 | 110 | 340 | 17 | 46 | 67 | 147 | 60 | 500 | 8500813 | 8600288 |
| VLBG 7t M36D | 7 | 3,3 | 60 | 103 | 65 | 72 | 74 | 22,5 | 55 | 52 | - | 151 | 80 | 107 | - | - | 55 | 67 | 146 | 60 | 700 | 8500817 | |
| VLBG 8t M36 | 8 | 5,8 | 77 | 122 | 82 | 100 | 97 | 26,5 | 77 | 63 | 223 | 205 | 110 | 140 | 300 | 22 | 55 | 85 | 197 | 70 | 800 | 9783553 | 8600289 |
| VLBG 10t M42 | 10 | 6,4 | 75 | 145 | 80 | 103 | 64 | 30x20 | 77 | 73 | 273 | 170 | 80 | 150 | 350 | 24 | 65 | 85 | 162 | 70 | 1000 | 7983554 | 5600290 |
| VLBG 15t M42 | 15 | 11,2 | 95 | 156 | 100 | 113 | 110 | 36 | 87 | 63 | 263 | 230 | 130 | 150 | 350 | 24 | 65 | 100 | 222 | 85 | 1500 | 7982966 | 8600291 |
| VLBG 20t M48 | 20 | 11,2 | 95 | 156 | 100 | 117 | 105 | 36 | 87 | 73 | 303 | 230 | 130 | 160 | 390 | 27 | 75 | 100 | 222 | 85 | 2000 | 7982967 | 8600292 |
| VLBG-Z 1t 1/2" - 13UNC | 1 | 0,3 | 32 | 54 | 34 | 38 | 37 | 10 | 29 | 22 | - | 75 | 45 | 51 | - | - | - | 32 | 75 | 26 | 100 | 85002349 | |
| VLBG-Z 1,5t 5/8" - 11UNC | 1,5 | 0,5 | 33 | 56 | 36 | 47 | 38 | 13,5 | 36 | 24 | - | 87 | 47 | 60 | - | - | - | 38 | 85 | 30 | 150 | 8502350 | |
| VLBG-Z 2,5t 3/4" - 10UNC | 2,5 | 1,1 | 50 | 82 | 54 | 56 | 54 | 16,5 | 43 | 28 | - | 113 | 64 | 71 | - | - | - | 48 | 110 | 45 | 250 | 8502351 | |
| VLBG-Z 2,5t 7/8" - 9UNC | 2,5 | 1,1 | 50 | 82 | 54 | 58 | 52 | 16,5 | 43 | 27 | - | 113 | 64 | 70 | - | - | - | 48 | 110 | 45 | 300 | 8502352 | |
| VLBG-Z 4t 1" - 8UNC | 4 | 1,6 | 50 | 82 | 54 | 61 | 64 | 16,5 | 43 | 41 | - | 130 | 78 | 84 | - | - | - | 48 | 125 | 45 | 400 | 8502353 | |
| VLBG-Z 5t 1 1/4" - 8UNC | 5 | 3 | 60 | 103 | 65 | 83 | 64 | 22,5 | 61 | 41 | - | 151 | 80 | 102 | - | - | - | 67 | 147 | 60 | 500 | 8502354 | |



Očesni vijak DAW

Eye bolt type DAW

| Velikost | Nosilnost 0o kg | Nosilnost 90o kg | Navoj | | | | | | | Teža | Oznaka |
|-------------|-----------------|------------------|----------|------|------|------|------|-------|------|---------------------|----------|
| Normal size | Load limit 0° | Load limit 90° | Thread | l mm | b mm | c mm | h mm | sw mm | t mm | Weight per piece kg | Art. No. |
| DAW 05 | 1000 | 500 | M12x1,75 | 18 | 36,0 | 14,5 | 51 | 30 | 41,0 | 0,43 | 461005 |
| DAW 1 | 2000 | 1000 | M16x2,00 | 20 | 36,0 | 15,0 | 52 | 30 | 42,0 | 0,44 | 461010 |
| DAW 2 | 4000 | 2000 | M20x2,50 | 30 | 49,5 | 19,0 | 68 | 41 | 56,0 | 0,95 | 461020 |
| DAW 3 | 6000 | 3000 | M24x3,00 | 30 | 57,0 | 22,0 | 78 | 46 | 65,5 | 1,48 | 461030 |
| DAW 5 | 10000 | 5000 | M30x3,50 | 38 | 66,0 | 23,5 | 97 | 55 | 81,0 | 2,19 | 461050 |
| DAW 8 | 11800 | 8000 | M30x3,50 | 38 | 80,0 | 28,0 | 112 | 65 | 92,0 | 3,61 | 461080 |
| DAW 10 | 15000 | 10000 | M36x4,00 | 50 | 80,0 | 27,0 | 109 | 65 | 89,5 | 3,73 | 461100 |